

OPERATION

.....

.....

.....



V SERIES
V-10S AND V-12S

.....

POWERED SUBWOOFERS

 **CERWIN-VEGA!**[®]

Cerwin-Vega's Limited Warranty

WELCOME TO THE FAMILY!

First off, you have great taste in loudspeakers. At Cerwin-Vega, deep bass and great highs are a way of life.

Nice to know there are a few people out there who share our passion for music. And we consider you to be the newest member of the family. We hope your speakers give you years of enjoyment. Of course, in the event of a problem, make sure you familiarize yourself with this warranty. We like to think that while you're sitting in front of your speakers, we're standing behind them. And now a few choice words from our lawyer. (Hey, every family has one.)

WHO'S COVERED BY THIS WARRANTY?

Cerwin-Vega's Limited Warranty on residential speakers extends only to the original purchaser as evidenced by the original Bill of Sale and only to the residential speakers purchased from authorized Cerwin-Vega dealers.

Ten words of advice: retain the original bill of sale in a safe place!

WHAT'S COVERED BY THIS WARRANTY?

Cerwin-Vega warrants that all new residential speakers shall be free from defects in material and workmanship, under normal and proper use. Cerwin-Vega agrees to repair or replace (at our option) all such defective parts at no charge for labor or materials.

WHAT'S NOT COVERED BY THIS WARRANTY?

This Limited Warranty does not apply to defective equipment that: has been altered or repaired by other than factory approved procedures; has been subjected to negligence, misuse or accident; has been damaged by improper line voltage; had its serial number or any part of it altered, defaced, or removed; has been used for other than home entertainment purposes; or has been used in a way that is contrary to Cerwin-Vega's written instructions. Except as provided by statute, this Limited Warranty does not cover losses, consequential or otherwise, resulting from the improper use of, or inability to operate, any Cerwin-Vega product.

HOW LONG DOES THE WARRANTY EXTEND?

Cerwin-Vega's Limited Warranty extends for a period of five (5) years for all system speaker components and two (2) years for all associated electronics components, including amplifier and controller devices, from date of purchase as shown on the original Bill of Sale. If a defect exists within the warranty period, the warranty will not expire until the defect has been fixed. The warranty period will also be extended if the warranty repairs have not been performed due to delays caused by circumstances beyond the control of the original purchaser, or if the warranty repairs did not remedy the defect and the original purchaser notifies Cerwin-Vega or the original dealer or an Authorized Cerwin-Vega Service Center of the failure of the repairs within 30 days after they were completed.

HOW DO YOU GET WARRANTY SERVICE?

In order to obtain warranty service, contact your original dealer or distributor, or an Authorized Cerwin-Vega Service Center. If, for some reason, you have trouble locating a service representative, contact Cerwin-Vega's Customer Service Department for assistance: Cerwin-Vega! Customer Service Dept. 555 East Easy Street, Simi Valley, CA 93065

In some cases, the Customer Service Department can solve a service problem without any return of equipment to Cerwin-Vega, thereby avoiding transit delays.

Phone: 805-584-5300 Fax: 805-526-3653

NOW, WHAT IF THE PRODUCT MUST BE RETURNED?

If the Customer Service Department determines that the equipment must be returned to Cerwin-Vega for service, a Return Authorization will be issued by mail, and the defective merchandise may be shipped directly to the above address freight prepaid, along with a copy of both the Return Authorization and the original Bill of Sale. The product will be replaced or repaired (at our option) and returned to the original purchaser. Only the return postage will be paid by Cerwin-Vega. Cerwin-Vega will not be responsible for damage occurring in shipment from the original purchaser or due to improper packing materials. Remember to pack all equipment carefully and in the original carton if possible. Additional charges may be added if new packing materials are required for return shipment. **SAVE YOUR ORIGINAL PACKING MATERIALS!**

OTHER REMEDIES UNDER THE LAW

The exercise of any of the provisions under the Limited Warranty does not affect the protections or remedies of the original purchaser under other laws. If you have additional questions about service, write or call the Customer Service Department. This Limited Warranty applies to all residential speakers, and supersedes all previous warranty statements. Cerwin-Vega reserves the right to make changes in product design and specifications at any time.

EXCEPT AS PROVIDED HEREIN AND BY APPLICABLE LAW, CERWIN-VEGA MAKES NO ADDITIONAL REPRESENTATION OR WARRANTY OF ANY NATURE WHATSOEVER, EXPRESSED OR IMPLIED, AS TO THE EQUIPMENT, INCLUDING BUT NOT LIMITED TO, THE MERCHANTABILITY, FITNESS FOR A PARTICULAR PURPOSE, DESIGN CONDITION OR WORKMANSHIP OF THE EQUIPMENT, OR THE QUALITY OF THE MATERIAL INCLUDED THEREIN. THIS LIMITED WARRANTY CONSTITUTES THE SOLE AND ENTIRE AGREEMENT BETWEEN CERWIN-VEGA AND THE ORIGINAL PURCHASER.

WARNING: TO REDUCE THE RISK OF FIRE OR ELECTRIC SHOCK, DO NOT EXPOSE THIS SPEAKER CABINET TO RAIN OR MOISTURE.

CAUTION: TO REDUCE THE RISK OF ELECTRIC SHOCK, DO NOT OPEN. NO USER SERVICEABLE PARTS INSIDE. REFER SERVICING TO QUALIFIED SERVICE PERSON.



THIS SYMBOL INDICATES THAT DANGEROUS VOLTAGE CONSTITUTING A RISK OF ELECTRIC SHOCK IS PRESENT WITHIN THIS UNIT.

CAUTION
RISK OF ELECTRIC SHOCK DO NOT OPEN
AVIS RISQUE DE CHOC ELECTRIQUE NE PAS OUVRI



THIS SYMBOL INDICATES THAT THERE ARE IMPORTANT OPERATION INSTRUCTIONS IN THE LITERATURE ACCOMPANYING THE SPEAKER.

SAFETY INSTRUCTIONS

READ INSTRUCTIONS - Read all safety and operating instructions before operating the product.

RETAIN INSTRUCTIONS - Retain all safety and operating instructions for future reference.

READ WARNINGS - Read all warnings on the product and in the operating instructions.

FOLLOW INSTRUCTIONS - Follow all operating and use instructions.

WATER AND MOISTURE - This apparatus shall not be exposed to dripping or splashing and that no objects filled with liquids, such as vases, shall be placed on the apparatus. Do not use the product near water; e.g., near a bathtub, washbowl, kitchen sink, laundry tub, in a wet basement, or near a swimming pool, etc.

VENTILATION - Do not place the product in a location or position that interferes with its proper ventilation. For example, do not set the product on a bed, sofa, rug, or similar surface that may block the heat sink, or place it in a built-in situation, such as a bookcase or cabinet that may impede the flow of air around the heat sink.

PLACEMENT - This product is designed for floor placement only. Do not place it on a cart or table. Do not place objects on top of the product, as they will vibrate off.

HEAT - Place the product away from heat sources such as radiators, heat registers, stoves, or other appliances (including amplifiers) that produce heat.

POWER SOURCES - Connect the product only to a power receptacle of the type described in the operating instructions or as marked on product.

GROUNDING OR POLARIZATION - Do not defeat the product's grounding or polarization feature.

POWER CORD PROTECTION - Route power-supply cords so that they are not likely to be walked on or pinched by items placed on or against them. Pay particular attention to cords at plugs, convenience receptacles, and the point where they exit from the product.

CLEANING - Clean the product only with a dry cloth; do not use any liquids such as water or solvents.

POWER LINES - Locate an outdoor antenna away from power lines.

NON-USE PERIODS - Unplug the product's power cord from the outlet when left unused for a long period of time.

OBJECT AND LIQUID ENTRY - Use care so that objects or liquids do not enter the enclosure through openings.

DAMAGE REQUIRING SERVICE - If the product requires service, use only qualified service personnel when:

- The power supply cord or the plug has been damaged; or
- Objects have fallen, or liquid has been spilled into the product; or
- The product has been exposed to rain; or
- The product does not appear to operate normally, or exhibits a marked change in performance; or
- The product has been dropped, or the enclosure damaged; or
- Fuse blows repeatedly.

SERVICING - Do not attempt to service the product beyond what is described in the operating instructions. All other servicing should be referred to qualified service personnel. In the event your Cerwin-Vega Subwoofer fails to operate properly, please contact the dealer where you purchased the unit. Or, for further assistance contact us at the addresses listed below.

HEARING DAMAGE WARNING - Continuous, excessive exposure to sound pressure levels in excess of 85 dB may cause hearing loss. Cerwin-Vega audio/video speaker systems are capable of producing sound pressure levels greater than 85 dB.

All V Series speakers are CE compliant.

Cerwin-Vega is constantly striving to maintain the highest consumer standards. As a result of these efforts, modifications may be made from time to time to existing products without prior notice. Specifications and appearance may differ from those listed or shown in this manual.

Installation

PRIOR TO INSTALLATION

Carefully unpack your subwoofer, saving the box and all of the packing material; at some point you may need to transport, ship, or move your subwoofer. Before continuing with the installation, please make sure the subwoofer is unplugged and the power switch is turned "OFF" **WARNING: Severe damage may result from improperly selected voltage. Set voltage selection switch, Ⓢ to the proper AC voltage.**

INSTALLATION

Please read the following to determine which installation procedure is best for your audio/video system. For additional hook-up connections, you may want to refer to your A/V receiver, processor, preamplifier, or amplifier's manual. **NOTE: Be sure to read and observe the "Safety Instructions" on preceding page before starting the installation.**

CONTROL DESCRIPTIONS

The following controls are located on the subwoofer's rear panel, as shown (back cover). **Attention! The Cerwin-Vega V-10S/12S have LFE, LINE-LEVEL, and SPEAKER-LEVEL input connections; choose one option only for hook-up. Do not hook up more than one option!**

- ① **LFE INPUT:** Mono "low frequency effects" connection. Use this input if receiver/preamp/processor has a dedicated LFE or subwoofer OUT. Refer to the owner's manual provided by your receiver/preamp/processor manufacturer (see figure 1, back cover for hook-up)
- ② **LINE-LEVEL INPUT:** Stereo low level input to subwoofer. Connect to "LINE-OUT", "MAIN-OUT or PREAMP-OUT", of your receiver/preamp/processor using a dual RCA patchcord (not supplied). Refer to the owner's manual provided by your receiver/preamp/processor manufacturer (see figure 2, back cover for hook-up)
- ③ **SPEAKER-LEVEL INPUT:** Stereo high-level inputs to subwoofer. Use these terminals when line-level connections are not available from A/V receiver/preamp/processor. Connect to SPEAKER outputs on receiver using high quality speaker wire (16-gauge or heavier). (see figure 3, back cover for hook-up)
- ④ **SPEAKER-LEVEL OUTPUT:** Audio loop of stereo high-level (SPEAKER-LEVEL) inputs Ⓢ. Use to loop (continue) signal to speaker connections to the left and right main speakers.
- ⑤ **VOLUME CONTROL:** Controls volume level of subwoofer. Use to balance the output of the subwoofer with the main speaker output.
- ⑥ **CROSSOVER FREQUENCY:** The crossover control allows you to adjust the upper limit of the subwoofer's frequency response from 40 to 120 Hz. The subwoofer's response will begin rolling off above the set frequency. Set the CROSSOVER FREQUENCY to the lower value listed in the main speaker manual.* (Note: Crossover control does not function when LFE input is used.)
- ⑦ **PHASE:** This switch allows you to compensate for having the subwoofer in a different location than the main speakers. This control allows the signal to be delayed 180 degrees so the output of the subwoofer will blend in with the main speakers. Slide the PHASE switch to "180". At the listening position, listen to the midbass output. If it sounds weak, set PHASE back to "0."
- ⑧ **POWER LED:** Power indicator lamp. Glows green in "ON" mode if audio signal is present. Glows red in both "OFF" mode and "ON" mode if receiving AC power, and if audio signal is not present after approximately 30 minutes.

- Ⓢ **POWER:** Two-position power switch. In the "ON" mode, the subwoofer's amplifier is automatically activated if an audio signal is present and will automatically become inactive when there is no audio signal present after approximately 30 minutes. In the "OFF" mode, power is shut off to the amplifier.
- Ⓢ **VOLTAGE SELECTION:** User-switchable voltage selection for use with 115 or 230 volt AC. **Attention: All subwoofer models come from the factory preset to 115 volts.** To select a different voltage, use a flat head screwdriver to reposition the switch to the desired voltage. **WARNING: Severe damage may result from improperly selected voltage. Make sure you know the voltage requirement of the country you are in before attempting to connect this subwoofer to AC power.**
- ① **POWER CORD RECEPTACLE:** Connect IEC cord to this receptacle (supplied with the V subwoofer). If the cord supplied does not fit an available AC outlet, purchase the correct AC cord from your audio dealer or an electrical supply store.
- ② **REPLACEABLE FUSE:** Protects system from overload, replace with fuse rating as indicated on amplifier panel at fuse location. The fuse holder is located at the AC receptacle. Gently pry open to access the fuse.

PLACEMENT

Your V Series powered subwoofer produces low frequencies which are omnidirectional. As a result, placement requirements for your subwoofer are flexible and subject to your listening room's acoustic characteristics. To determine the best position for your subwoofer, start by positioning it along the same wall, or plane, as your main speakers. Experiment with various locations until you find the location that sounds best to you. *Note: Typically, your powered subwoofer will sound louder when placed in close proximity to walls or corners.*

Caution! Cerwin-Vega V-10S and V-12S speakers are intended for FLOOR PLACEMENT ONLY! Do not place heavy objects of any type, such as televisions on top of any Cerwin-Vega speaker unless otherwise recommended by Cerwin-Vega! V Series speakers are for residential applications only.

* Refer to the owner's manual provided by your main speaker manufacturer to determine your main speaker's low end frequency response.

TROUBLESHOOTING		
SYMPTOM	CAUSE	SOLUTION
Bass sounds distorted	Subwoofer amplifier has reached maximum output Tone controls are set too high	Turn down volume control on subwoofer or lower receiver level Set bass flat; use controls sparingly
Distortion with volume control near minimum	Defective receiver or preamplifier; shorted speaker wires	Repair defective receiver, preamplifier or replace speaker wires
Distortion on music peaks or sound effects	Dynamic soundtrack (e.g., explosions)	Turn down volume control to lower overall range; use a more powerful receiver/amplifier
Buzz, hum, or crackle when connecting wires	Connecting wires with power on causes transient signal spikes	Connect wires only when audio system power is off
Buzz or hum when system is on	Grounding problem or ground loop	Check receiver or preamplifier manual for ground loop elimination
No sound after listening at high levels	Amplifier's thermal protection is on	Turn down volume control and allow amplifier to cool; sound should resume automatically

SPECIFICATIONS	V-12S	V-10S
Frequency Response (+/- 3 dB)	30 Hz - 150 Hz	32 Hz - 150 Hz
Woofer	12" EX™ Woofer	10" EX™ Woofer
Amplifier Power (@0,05% THD)	150 Watts RMS 300 Watts Peak	100 Watts RMS 200 Watts Peak
Amplifier Features	Variable gain and X-O freq.; phase select; LFE in; line level in; speaker level in/out; 110/220AC	Variable gain and X-O freq.; phase select; LFE in; line level in; speaker level in/out; 110/220AC
Protection	AC Fuse & Thermal	AC Fuse & Thermal
Video Shielding	No	No
Weight	44lb. / 20kg.	34lb. / 15.6kg.
Dimensions (H x W x D) (inches) (cm)	17 3/4 x 13 5/8 x 19 3/8 45.1 x 34.6 x 49.2	16 1/8 x 11 1/2 x 17 3/8 41 x 29.2 x 44.1

Figure 1

LOW FREQUENCY EFFECTS CONNECTION

From LFE or Subwoofer Out
Low Frequency Effects Connection

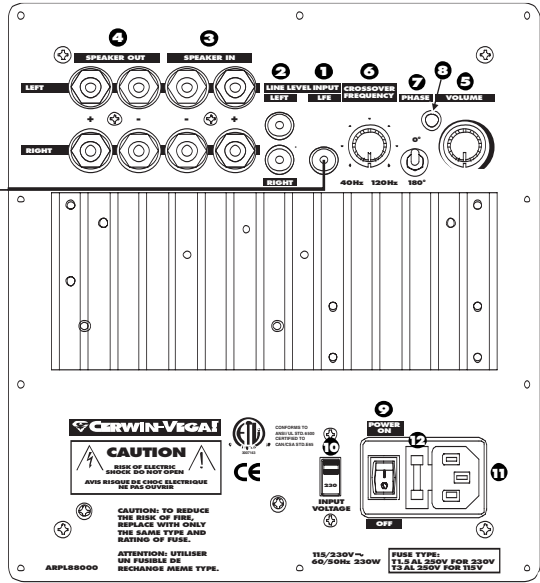
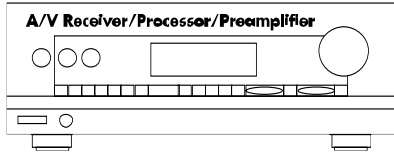


Figure 2

LINE LEVEL CONNECTION

Line Level Out

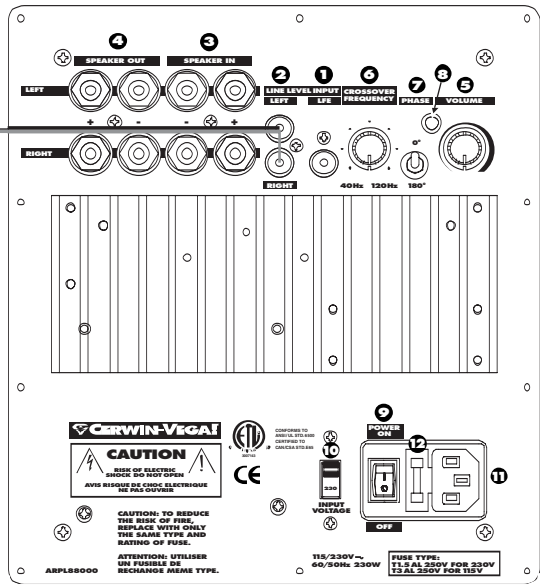
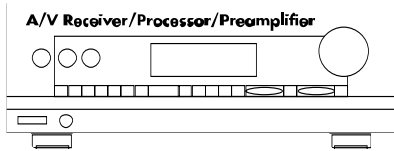


Figure 3

SPEAKER-LEVEL CONNECTION

From Speaker-Level Out

